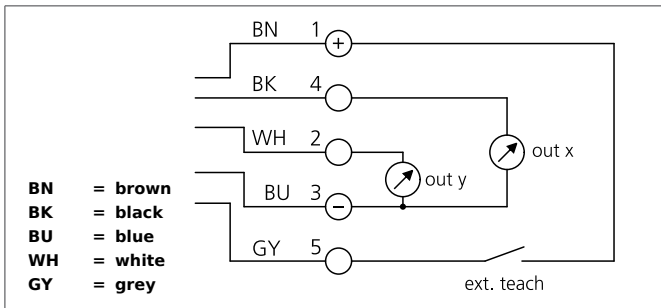


# NS 60 M 60XY-U-B5 Inclination Sensor



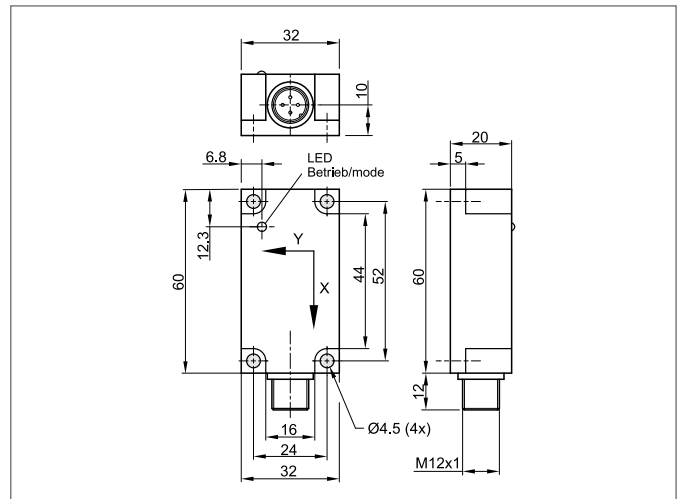
- Independent evaluation of two axes at the same time
- Measuring range  $\pm 60^\circ$
- Teach-in for zero position
- Two analog outputs 0 ... 10 V
- Robust metal casing



## Safety instructions

The Instruments are not to be used for safety applications, in particular applications in which safety of persons depends on proper operation of the instruments.

These instruments shall exclusively be used by qualified personnel.



TECHNICAL INFORMATION (typ.)	+20°C, 24V DC
Maximum rating	polarity-safe
Service voltage	12 ... 30 V DC
Internal power consumption	< 25 mA, plus 2x20 mA under load
External teach input	UB (> 6 V): Teach-in process / open: normal mode
Detection range	+/- 60° per axis
Resolution	0,3°
Analog output	0 ... 10 V, min. 100kΩ, linearised
Output signal	5 V at 0°
Sensitivity	+/- 3%
Shock-/vibration load	30 g
Display	LED: green - Switching output / Teach-in status display
Response time	< 150 ms
Reproducibility	0,5°
Ambient temperature	-25 ... +70 °C
Temperature drift	0,03 °/K
Protection class	IP 67
Casing material	Aluminium anodized
Connection	Connector, M12